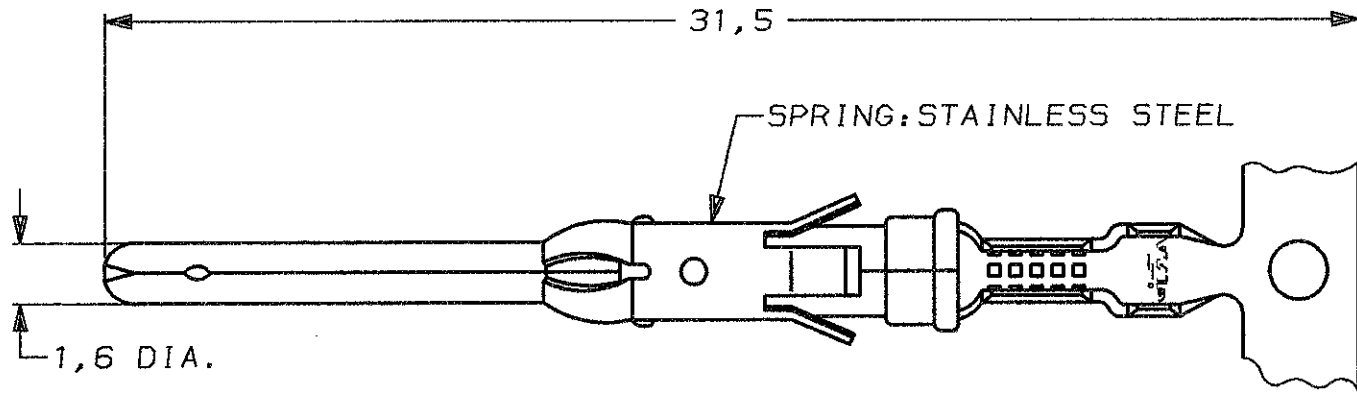


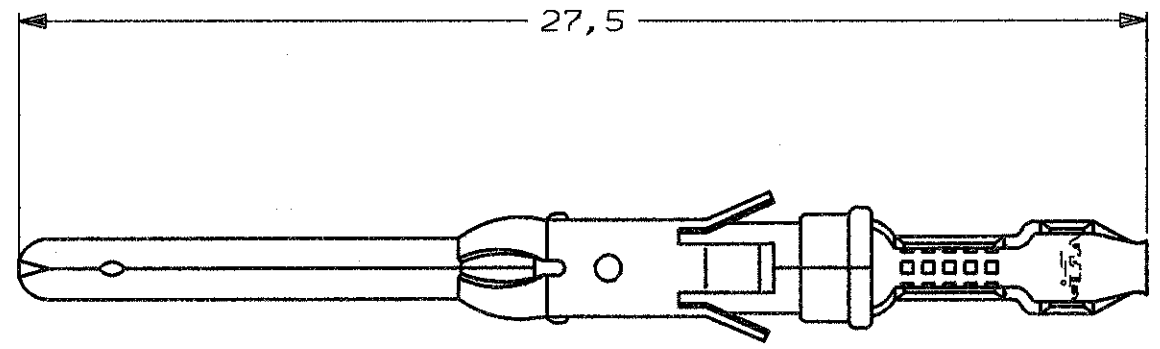
DO NOT SCALE  
DIMENSIONS IN mm

METRIC

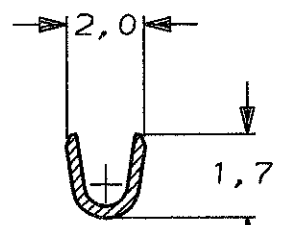
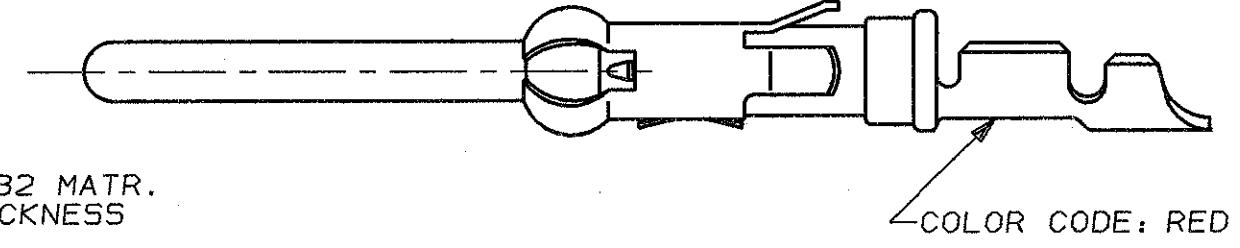
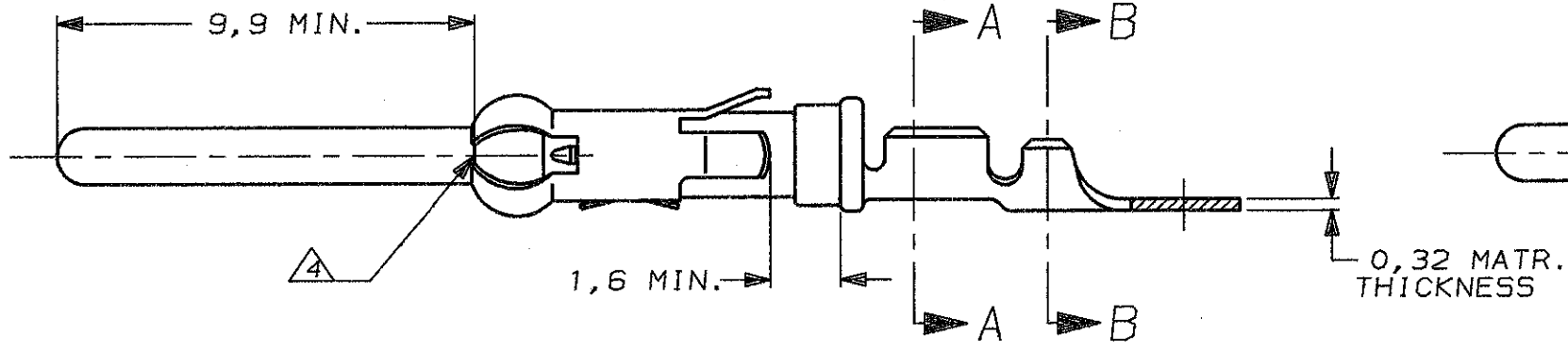
THIRD ANGLE  
PROJECTION



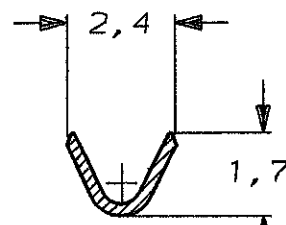
STRIP



LOOSE-PIECE

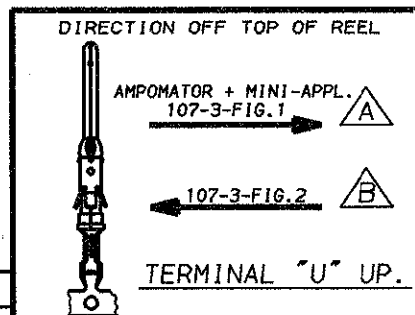


SECTION A-A



SECTION B-B

WIRE RANGE : 0,12-0,20 mm<sup>2</sup> (26-24 AWG)  
INSUL. RANGE : 0,9 -1,4 mm (.035-.055)



1-163089-3	A	1-163090-1	BRASS	EL. TIN	31	20
1-163089-2	A	1-163090-2	BRASS	BR. TIN/LEAD	30	
1-163089-1	A		BRASS	ECON. GOLD	21	
1-163089-0	B	1-163090-0	BRASS	ECON. GOLD	21	
163089-9	A		BRASS	EL. TIN	20	
163089-8	A		BRASS	SEL. GOLD	22	
163089-2	B	163090-2	BRASS	SEL. GOLD	22	
163089-1	B	163090-1	BRASS	EL. TIN	20	

NOTES	MATERIAL	THICKNESS	AREA
20	TIN	2,0 μm	ALL OVER
21	NICKEL GOLD TIN/LEAD	0,8 μm	ALL OVER CONTACT AREA BARREL
22	NICKEL GOLD GOLD	0,8 μm	ALL OVER CONTACT AREA ALL OVER
23	NICKEL GOLD GOLD	1,2 μm	ALL OVER CONTACT AREA ALL OVER
24	NICKEL SILVER TIN/LEAD	2,5 μm	ALL OVER CONTACT AREA BARREL
25	SILVER	0,5 μm	ALL OVER
26	SILVER	2,5 μm	ALL OVER
27	NICKEL TIN/LEAD	1,27 μm	ALL OVER
28	TIN/LEAD	1,27 μm	ALL OVER
29	LUBRICATED		

PARTNUMBER	DIRECTION OF REEL	LOOSE-PIECE	MATERIAL	PLATING
Y EBD0-0335-04	JMS FWK	02/08/04		
N EH-0302-94	JvL MvD	03-05-94		
M ECN H-9813	JvdH RD	18-05-92		
LTR. REVISION RECORD	DR. CHK. DATE			

**CUSTOMER DRAWING** FOR REFERENCE ONLY WILL NOT BE UPDATED  
 © COPYRIGHT 19- BY AMP HOLLAND B.V.  
 ALL INTERNATIONAL RIGHTS RESERVED. AMP PRODUCTS MAY BE COVERED BY U.S. AND FOREIGN AND/OR PATENTS PENDING.  
 THIS DRAWING IS UNPUBLISHED  
 RELEASED FOR PUBLICATION AUG, 19 87  
**AMP** AMP HOLLAND B.V.  
 's-Hertogenbosch, The Netherlands.  
 NAME  
**PIN TYPE III CONTACT**  
**SIZE 16**

DR.: L.V.D.HEIJDEN. CHK.: P.V.D.HAGEN. APP.: L.V.SOEST.  
 DATE: 19-08-87 DATE: 20-08-87 DATE: 20-08-87  
 DWG.No. C-163089 REV.LTR. Y SHEET 1 OF 1 A3

- NOTES :
- 1 U.L.RECONIZED UNDER FILE E28476 VOL.VI SEC.I .
  - 2 FOR CRIMPDETAILS SEE AMP-SPEC. 114-19.000 .
  - 3 MEETS PRODUCTSPECIFICATION 108-10042.
  - 4 0,40 MAX. GAP BETWEEN SPRING-NOSE AND CONTACT BODY.